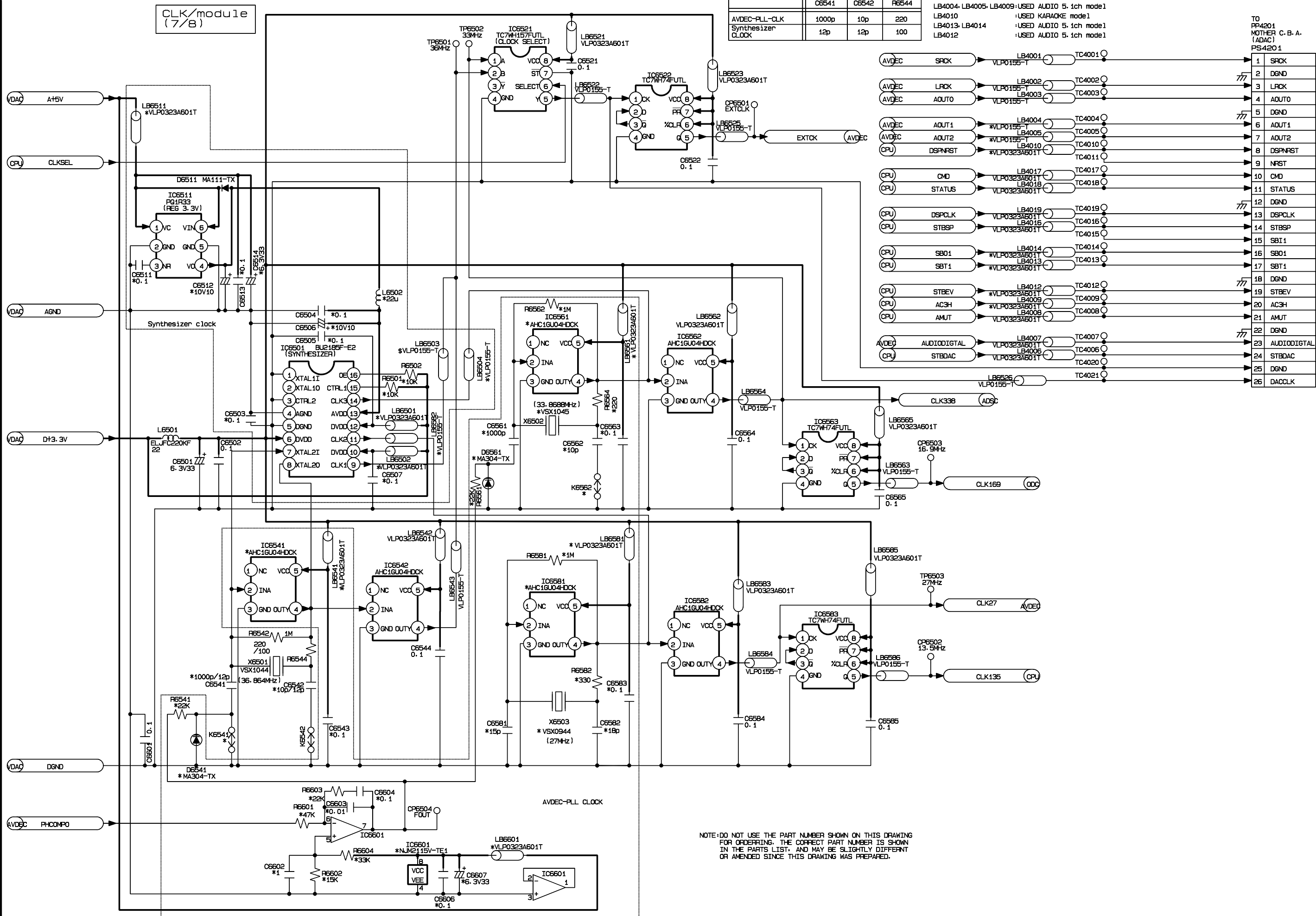


CLK/module
(7/8)

	C6541	C6542	R6544
AVDEC-PLL-CLK	1000p	10p	220
Synthesizer	12p	12p	100
CLOCK			

LB4004, LB4005, LB4009:USED AUDIO 5.1ch mode1
 LB4010 :USED KARAOKE mode1
 LB4013, LB4014 :USED AUDIO 5.1ch mode1
 LB4012 :USED AUDIO 5.1ch mode1

TP4201
 MOTHER C.B.A.
 (ADAC)
 PS4201



AVDEC	SRCK	LB4001	TC4001	1	SRCK
AVDEC	LRCK	LB4002	TC4002	2	DGND
AVDEC	AOUT0	LB4003	TC4003	3	LRCK
				4	AOUT0
				5	DGND
AVDEC	AOUT1	LB4004	TC4004	6	AOUT1
AVDEC	AOUT2	LB4005	TC4005	7	AOUT2
CPU	DSPNRST	LB4010	TC4010	8	DSPNRST
				9	NRST
CPU	CMD	LB4017	TC4017	10	CMD
CPU	STATUS	LB4018	TC4018	11	STATUS
				12	DGND
CPU	DSPCLK	LB4019	TC4019	13	DSPCLK
CPU	STBSP	LB4015	TC4016	14	STBSP
				15	SBT1
CPU	SB01	LB4014	TC4014	16	SB01
CPU	SBT1	LB4013	TC4013	17	SBT1
				18	DGND
CPU	STBEV	LB4012	TC4012	19	STBEV
CPU	AC3H	LB4009	TC4009	20	AC3H
CPU	AMUT	LB4008	TC4008	21	AMUT
				22	DGND
AVDEC	AUDIODIGITAL	LB4007	TC4007	23	AUDIODIGITAL
CPU	STBDAC	LB4005	TC4006	24	STBDAC
				25	DGND
				26	DACCLK

NOTE: DO NOT USE THE PART NUMBER SHOWN ON THIS DRAWING FOR ORDERING. THE CORRECT PART NUMBER IS SHOWN IN THE PARTS LIST, AND MAY BE SLIGHTLY DIFFERENT OR AMENDED SINCE THIS DRAWING WAS PREPARED.